



# Building Your Faith Chest

## You will need the following tools:

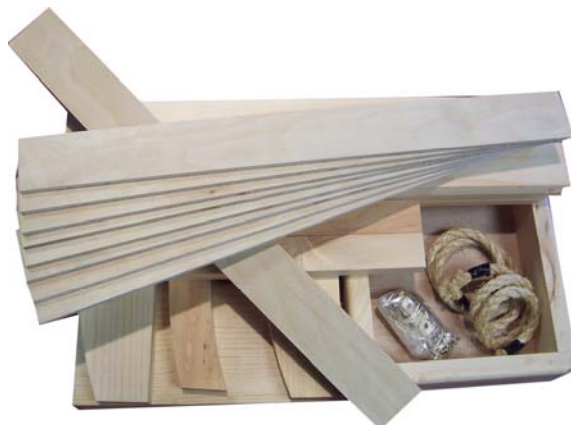
- 1 Phillips screwdriver
- Hammer
- Wood Glue (optional)
- Sanding Block (optional)
- Tape Measure (optional)



- Step 1: Lay Out Faith Chest Parts**
- Step 2: Assemble the Chest Frame**
- Step 3: Attach the Chest Bottom**
- Step 4: Install the Tray Rails**
- Step 5: Attach Chest Slats to Chest Frame**
- Step 6: Attach Rope Handles**
- Step 7: Assemble Lid Frame**
- Step 8: Attach Lid Slats**
- Step 9: Attach Lid Support Brace**
- Step 10: Attach Lid to Chest**

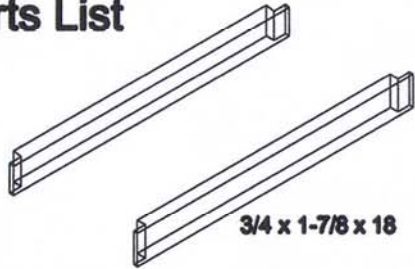
► **Read each step thoroughly before beginning** ◀

Note that the taped together slats and rails in your kit are for the lid assembly



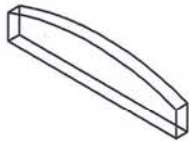
Faith Legacy Series: Building a Faith Chest - 1

# Parts List



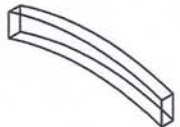
3/4 x 1-7/8 x 18

2- Notched Unbeveled Top Rails  
2- Notched Beveled Lid Rails  
(Taped Together)



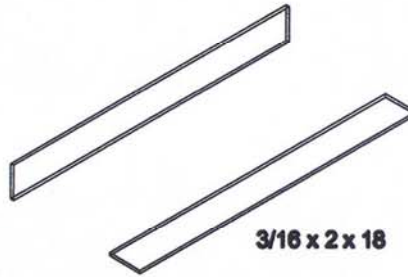
3/4 x 2-3/4 x 11

2- Arched Lid Side Panels



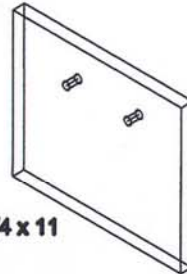
3/4 x 1-1/2 x 10

1- Lid Slat Support



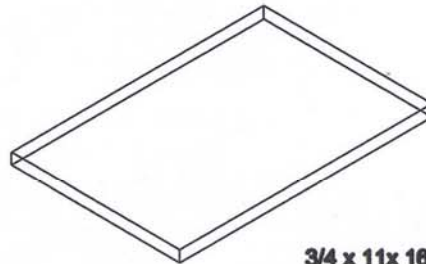
3/16 x 2 x 18

8- Chest Slats  
6- Lid Slats (Taped Together)



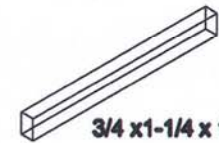
3/4 x 9-1/4 x 11

2- Chest Side Panels  
w/ pre-drilled rope handle holes.



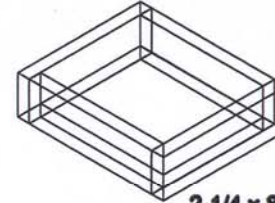
3/4 x 11x 16-1/2

1- Chest Bottom



3/4 x 1-1/4 x 12

2- Tray Rails



2-1/4 x 8 x 9-1/2

1-Tray (Pre-Assembled)



2-Rope Handles



2-Lid Hinges



1-12" Lid Chain



10- 1/2"  
Flat Hd  
Wood  
Screws



1-1/4"  
Screw Nails



3/4"  
Tack  
Nails

**Faith Chest**

kidskountpublishing.com

## Step 1: Lay Out and Familiarize Yourself With Faith Chest Parts

### Step 2: Assemble the Chest Frame

You will need:

- (2) chest side panels
- (2) un-beveled, notched top rails \*
- (8)  $\frac{3}{4}$ " small tack nails

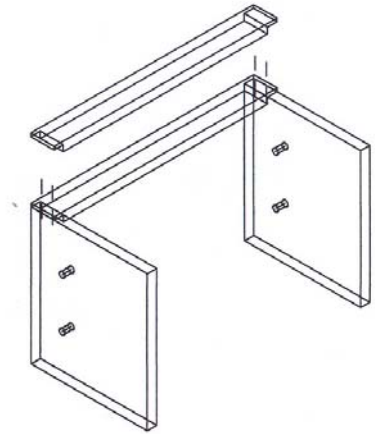
**\*Note: These rails are NOT the taped together rails in your kit.**

In this step, the un-beveled, notched top rails will be attached to the chest side panels to form the chest frame.

Place the side panels on their  $9\frac{3}{8}$ " sides, and align the rails flush at the top of the chest side panels (as shown). The rails have a piece cut out of each end and will fit over the side panels.

Attach the rail to the chest side panels using (2) small tack nails on each rail end, one in each corner.

Turn the side panels over and repeat on the other side.



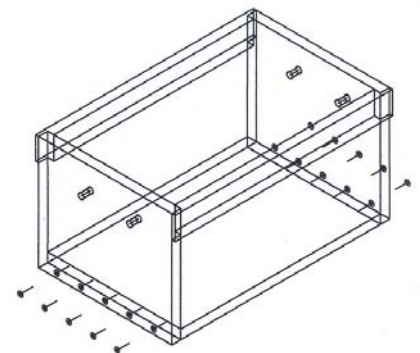
### Step 3- Attach the Chest Frame Bottom

You will need:

- (1) chest bottom
- Assembled chest frame from Step 2
- (10)  $1\frac{1}{4}$ " screw nails

Place the chest bottom on the inside of the side panels, flush at bottom. Turn chest on its end and hammer (5) large nails to attach the chest side panels to the chest bottom. Space the nails evenly, beginning with the first nail centered

Repeat on other side.



## Step 4-Install the Tray Rails

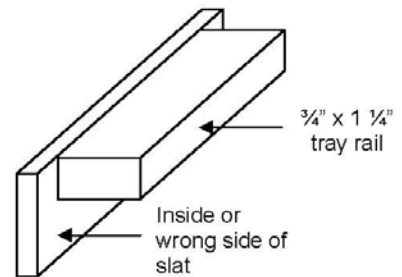
You will need:

- (8) chest slats
- (2) tray rails \*
- (6) small tack nails

**\* Note: These rails are NOT the taped together rails in your kit.**

Lay out the chest slats so the sides you want showing on your finished Faith Chest are facing up.

Choose (1) slat and place the  $\frac{3}{4}$ " side of (1) tray rail on what will be the side of the slat that will be inside the chest (the wrong side of the slat). Center the tray rail, flush at the edge (as shown).

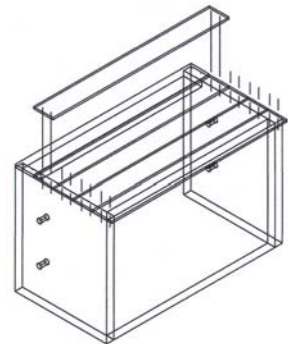


Use (3) small tack nails to attach the slat to the tray rail so the small nails show on the outside of the slat. Center the first tack nail and place one nail at each end.

## Step 5-Attach Chest Slats to Chest Frame

You will need:

- (1) chest frame
- (2) chest slats with installed tray rails
- (6) chest slats
- (34) small tack nails



Position the chest as shown and lay (1) chest slat with installed tray rail, flush against the top rail. The tray rail should be on the inside of the chest, closest to the top rail. Attach with (2) small tack nails at each end of the slat, one in each corner.

Repeat on other side of chest with the other slat with tray rail installed.

Position (3) chest slats and attach with (2) small nails at the end of each slat, one in each corner. After the bottom chest slat is attached to the chest frame, center one nail on the slat to attach it to the chest bottom.



Repeat on other side. This completes the chest part of your project.

## Step 6-Attach Rope Handles

You will need:

- (1) chest frame, from Step 5
- (2) rope handles

Insert rope through holes on chest side panels so both cut ends are on the inside of the chest. Form a loop handle by knotting each end of the rope, leaving the knots inside the chest.



Repeat on other side.

## Step 7-Assemble Lid Frame

You will need:

- (2) Lid Side Panels
- (2) Beveled, notched Lid Rails (**These rails ARE taped together**)
- (8) small tack nails

**Make sure beveled edge is up and that flat edge of lid side panels and lid rails are flush, before nailing together.**

Attach the beveled, notched lid rails to lid side panels with (2) small tack nails at each end, one in each corner (as shown).



## Step 8-Attach Lid Slats

You will need:

- Assembled Lid Frame (from Step 7)
- (6) lid slats (**These slats ARE taped together**)
- (24) small tack nails

Lay out the 6 lid slats so the side you want showing on the outside of your Faith Chest lid are facing up.



Pre-align the slats on the lid to check for placement.

**Make sure the slats are straight and spaced evenly before nailing.**

Begin with the (2) slats that will attach to the lid rails. Attach each slat with (2) small tack nails on each end, one in each corner.

Proceed with the remaining (4) slats.

### **Step 9-Attach Lid Support Brace**

You will need:

- (1) assembled lid, from Step 8
- (1) Lid Support
- (4) large screw nails
- (6) small tack nails

Center the lid support on the inside of the lid. Press the lid support so it is pushing against the lid slats.



Nail the lid rails to the lid support with (2) large screw nails on each side. Make sure the lid support remains firmly against the slats.

Place (1) small nail in the middle of each lid slat to secure them to the lid support.

### **Step 10-Attach Lid to Chest**

You will need:

- (1) completed lid
- (1) completed chest
- (2) hinges
- (1) length of chain
- (10) wood screws

Attach the completed lid to the completed chest with (2) hinges and (8 ) wood screws. It is easier to attach the hinges to the chest first. After doing so, align the lid with the chest and attach the top part of the hinges.

Attach lid chain (as shown) with (2) wood screws.



**Your Faith Chest assembly is now complete.**

**At this point let your imagination go wild and finish your Faith Chest in any way that you like. Stain or Paint, be creative.**

